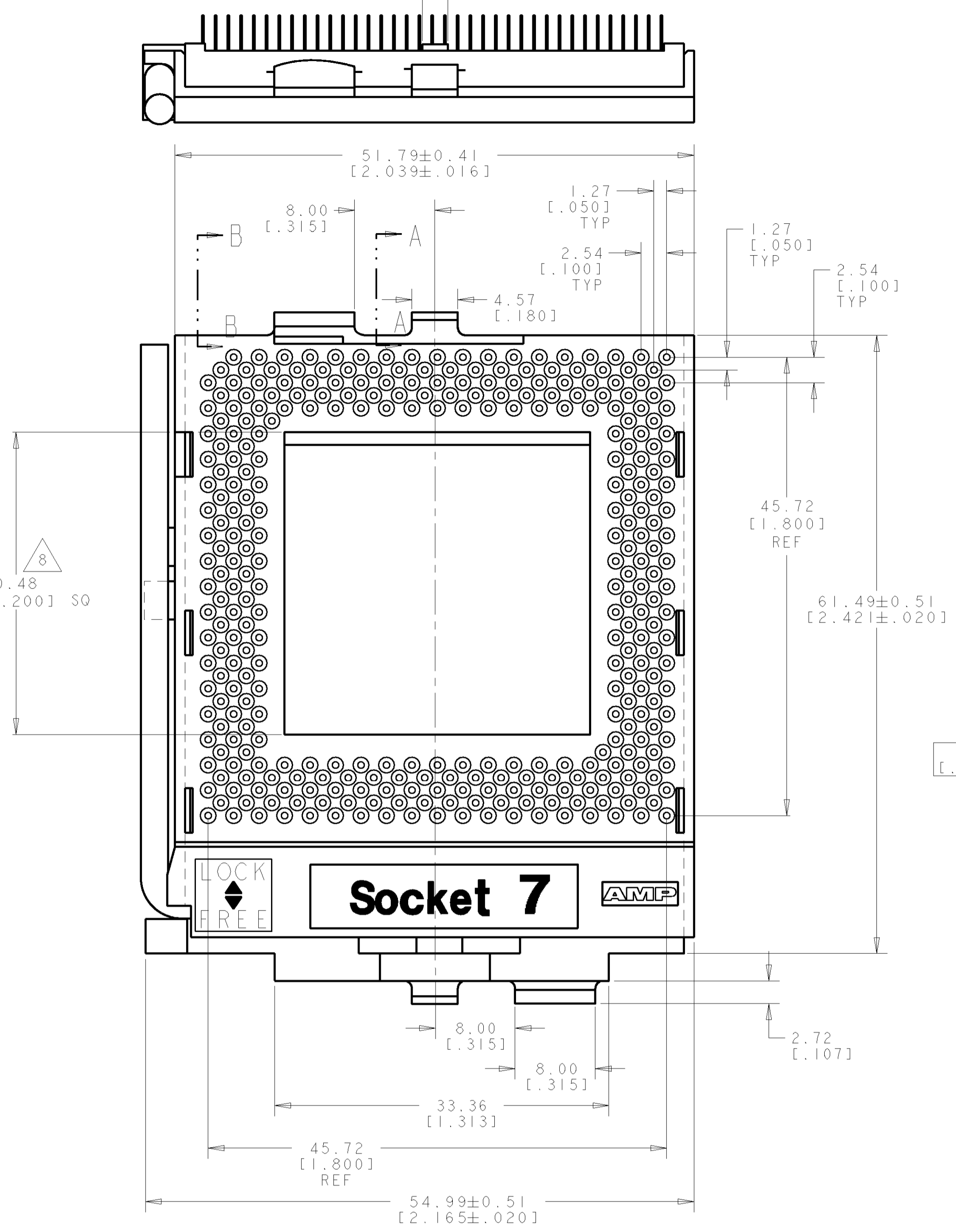
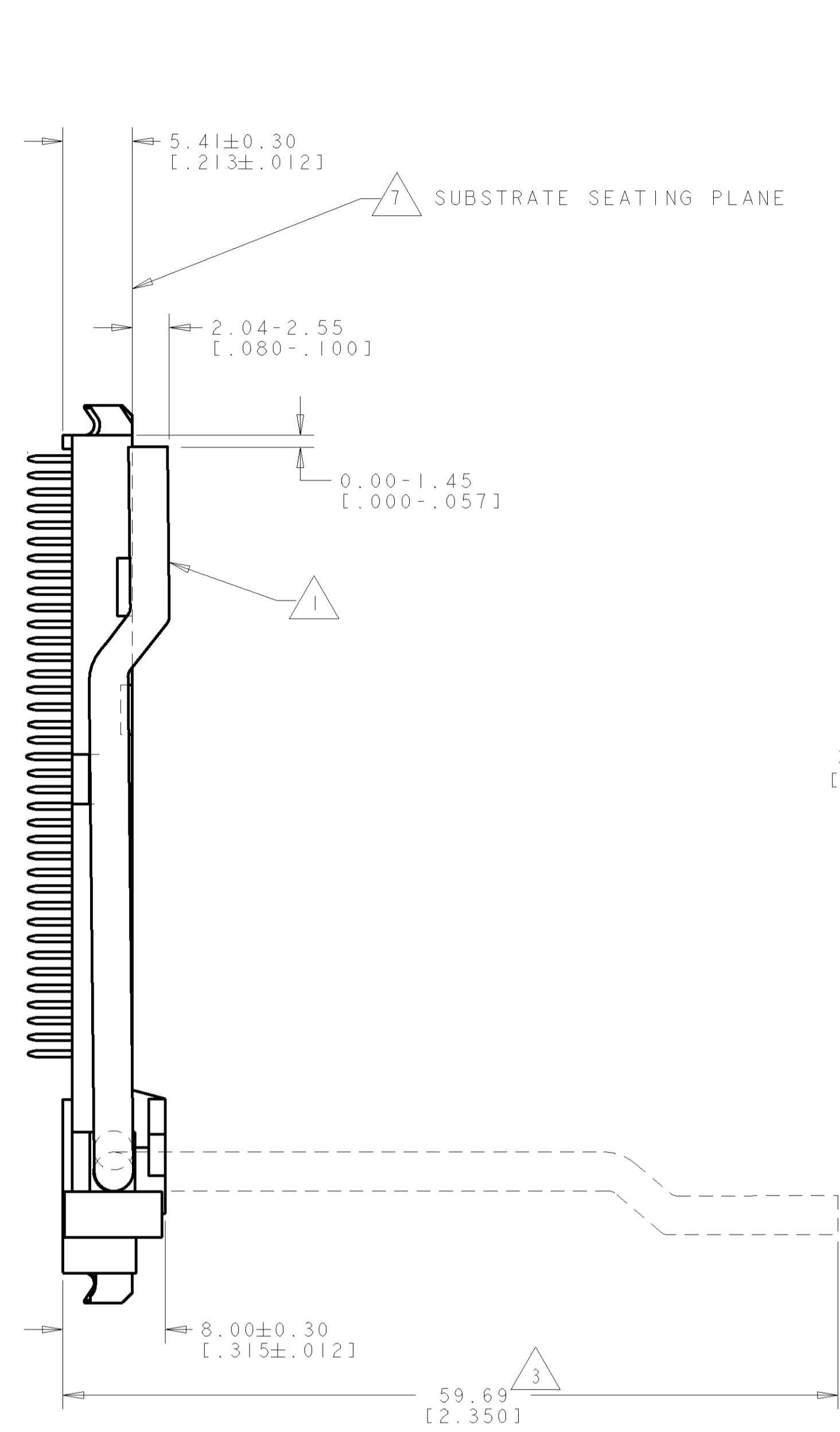
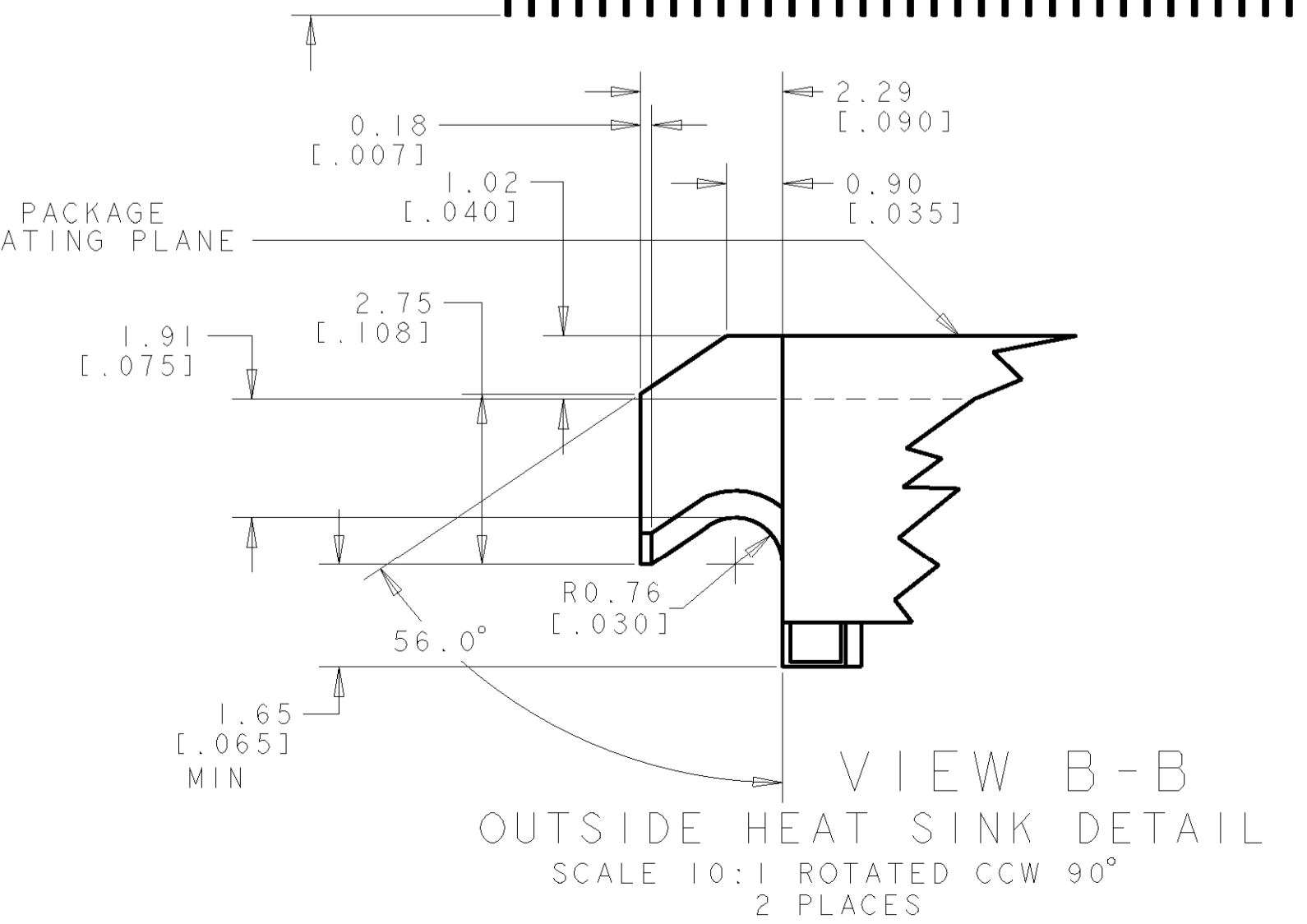
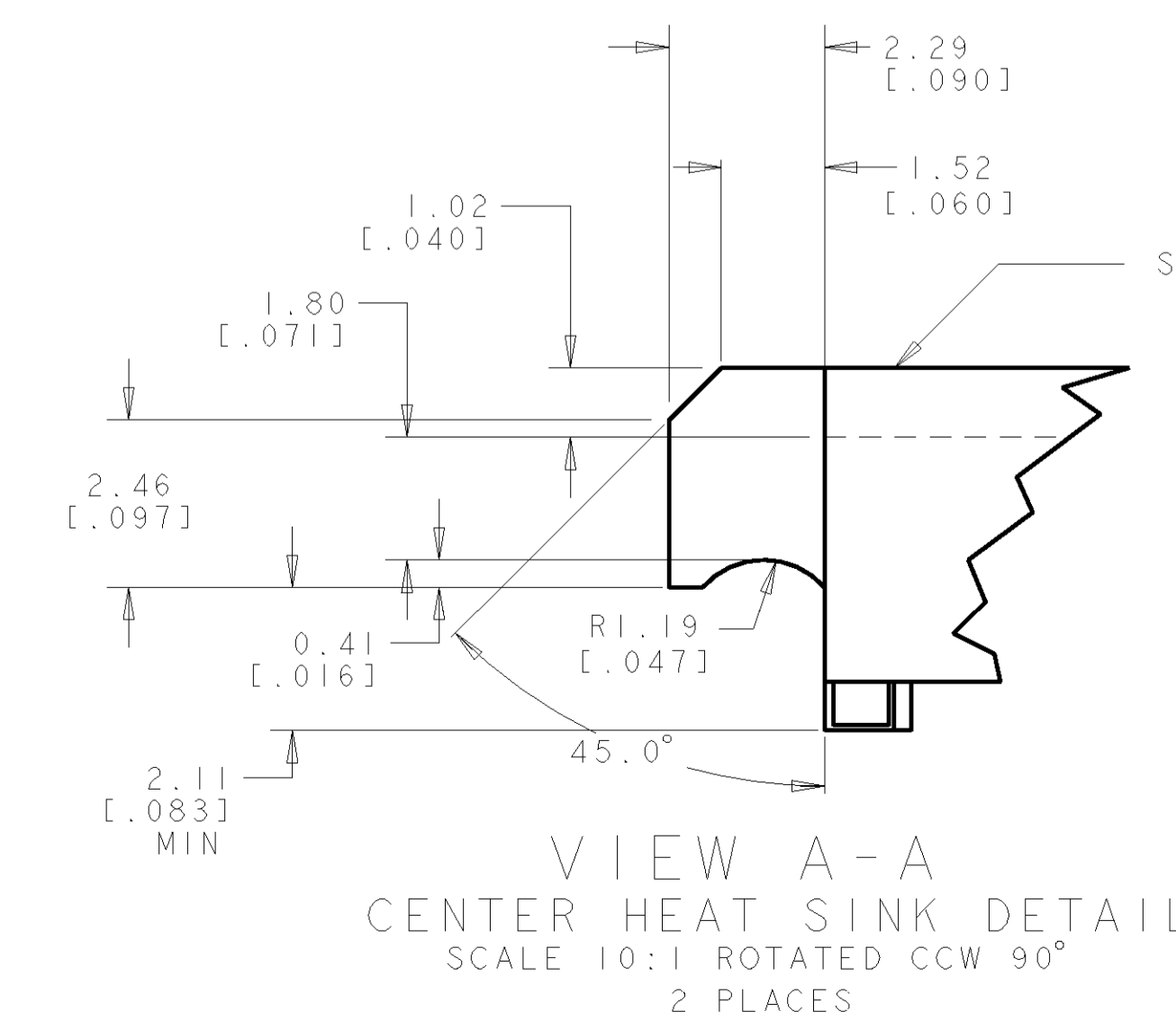
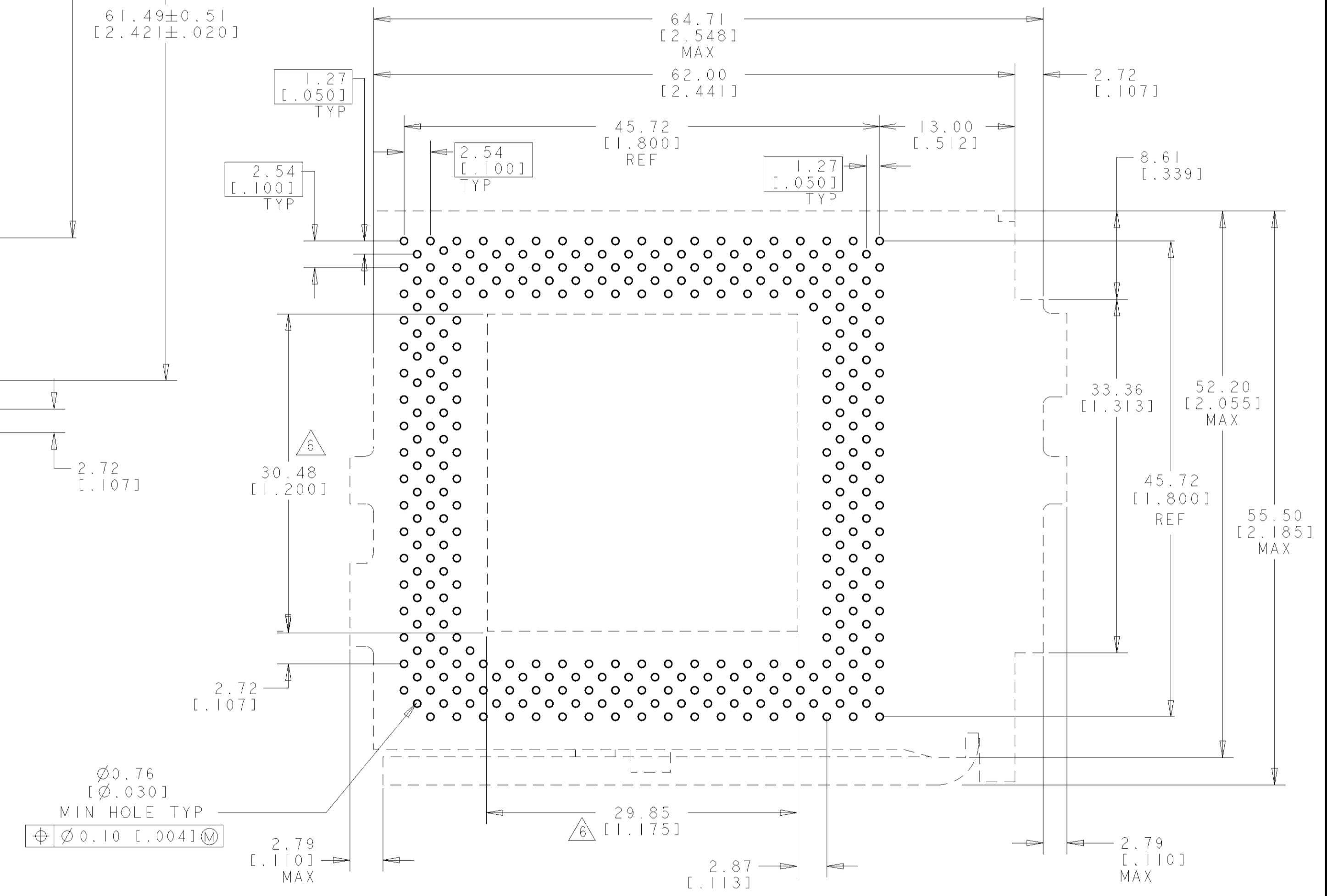


LOC	DIST	REVISIONS	DATE	BY	APPD
F		REVISED PER FP00-0027-02	12AUG02	LWY	LSF



- 1 HANDLE IS SHOWN IN THE 'ON' POSITION
- 2 SOCKET WILL ACCEPT ANY P.G.A. PACKAGE WITH A PIN $\varnothing 0.46 \pm 0.05$ [$\varnothing 0.018 \pm 0.002$] AND A LENGTH OF 2.54-3.30 [.100-.130] LOCATED ON TRUE POSITION OF 0.20 [.008] M
- 3 MAX DIMENSION INCLUDING HANDLE
- 4 MATERIAL; HOUSING AND COVER ARE THERMOPLASTIC. COLOR-NATURAL. CONTACTS ARE COPPER ALLOY. ACTUATOR IS STAINLESS STEEL.
- 5 FINISH; CONTACT AREA-0.00076 [.000030] MIN. THICK GOLD OVER 0.00127 [.000050] MIN. THICK NICKEL PLATE. SOLDER TAIL-0.00381 [.000150] MIN. THICK TIN-LEAD OVER 0.00127 [.000050] MIN. THICK NICKEL PLATE. CONTACT AREA SHALL BE FREE OF LUBRICANT.
- 6 DIMENSIONS INDICATE MIN. OPEN CENTER THROUGH SOCKET.
- 7 SEATING PLANE OF PGA PACKAGE IN SOCKET IS ON CERAMIC SURFACE OF PACKAGE.
- 8 DIMENSION INDICATES MIN. HOLE IN COVER OF SOCKET.



TRAY PACKAGED NUMBER OF SOCKETS PER SHIPPING BOX	DIM A	POSITION	PART NUMBER
90	2.79 [.110]	321	916716-4
90	2.79 [.110]	321	916716-3
90	2.36 [.093]	321	916716-2
90	2.03 [.080]	321	916716-1

DIMENSIONS: mm (INCHES) TOLERANCES UNLESS OTHERWISE SPECIFIED: 0 PLC ± 1 PLC ± 2 PLC ± 3 PLC ± 4 PLC ± ANGLES ±		DWG: R. TALLEY 7-16-96 CHK: A. HOLT 7-16-96 NAME: SOCKET ASSY, SINGLE LEVER ZIF, PGA, 19 X 19 GRID, LOW PROFILE, RIGHT HAND SIZE: A1 CAGE CODE: 00779 DRAWING NO: 916716 SCALE: 3:1 SHEET: 1 OF 1 REV: F	
MATERIAL: 47 FINISH: 57		AMP MANUFACTURING (SINGAPORE) PTE. LTD. CUSTOMER DRAWING	